
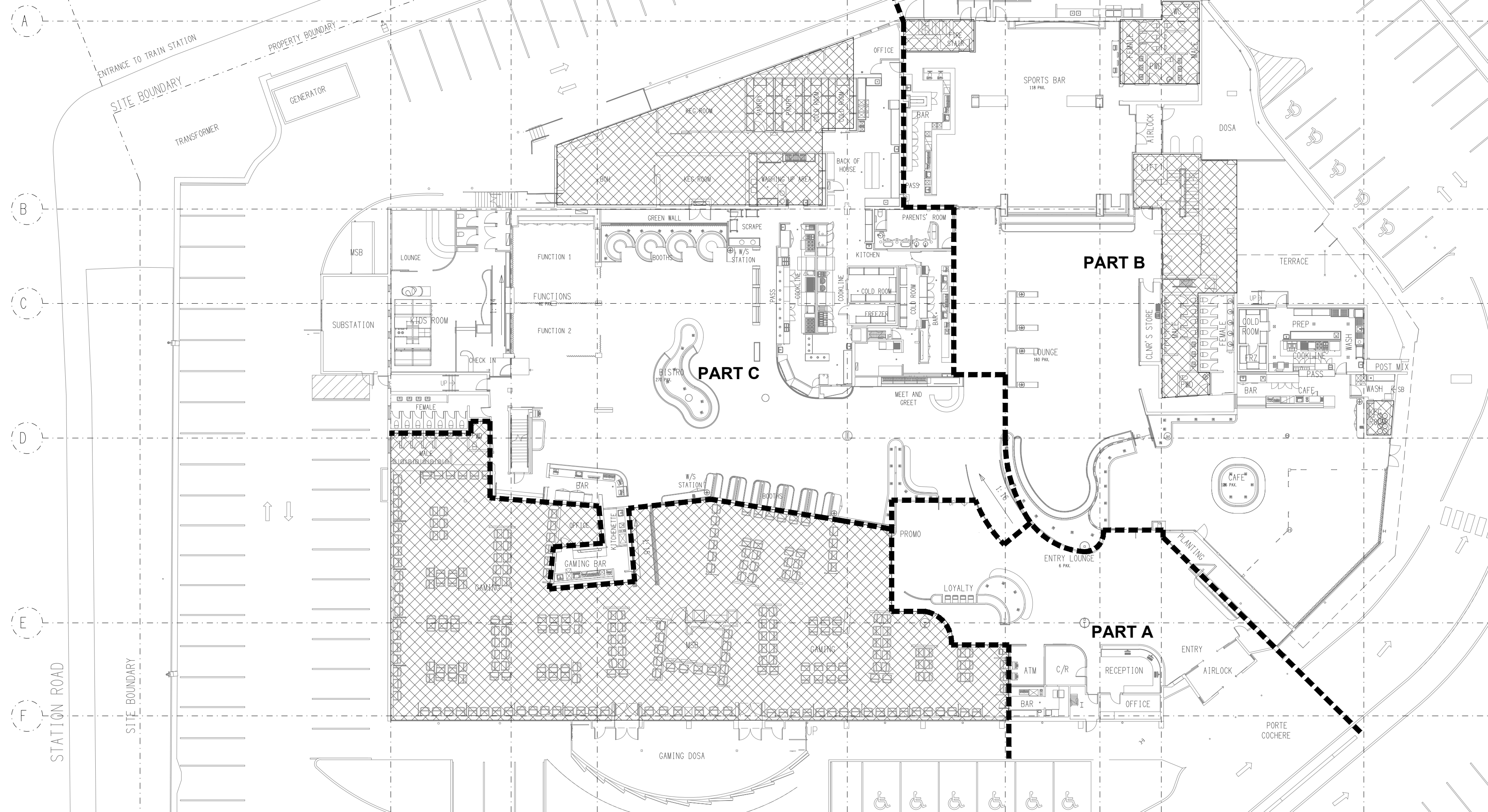
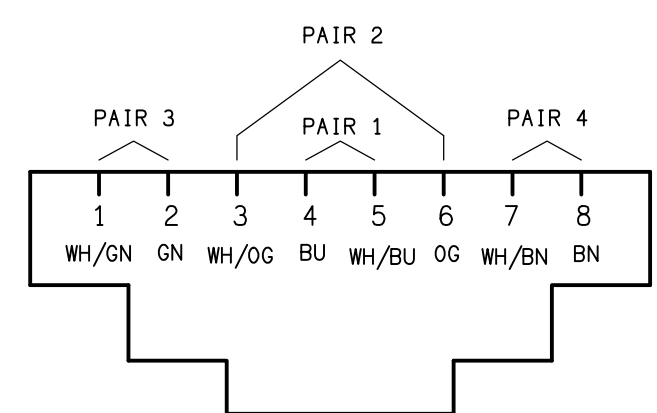


NOTE:
 AREAS SHOWN CROSS HATCHED NOT PART OF THIS REFURBISHMENT



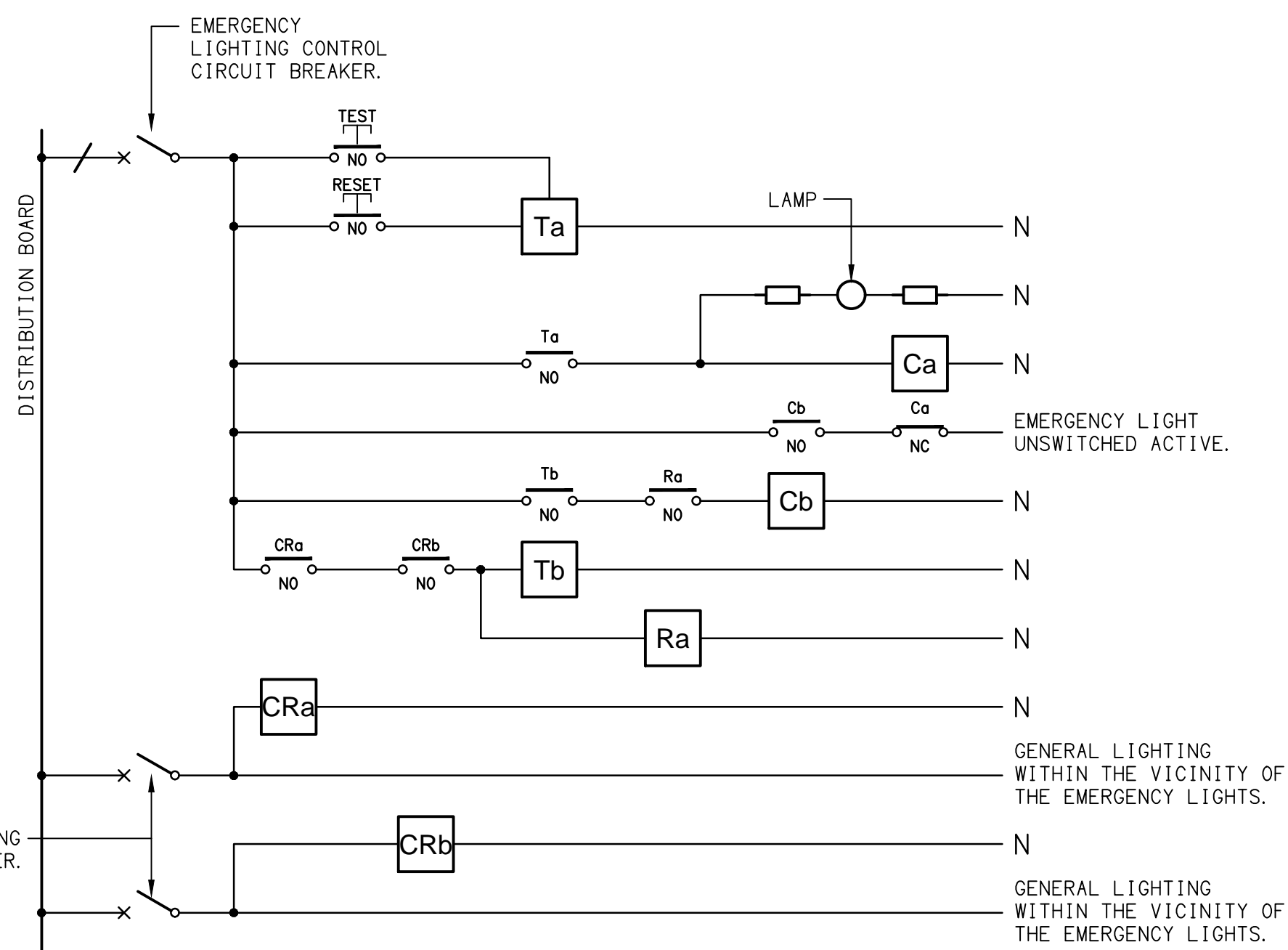
LOCATION PLAN
 REDEVELOPMENT PART DESIGNATIONS
 SCALE 1:250



SCHEMATIC
 RJ45 PINOUT CONFIGURATION
 NOT TO SCALE

EQUIPMENT:

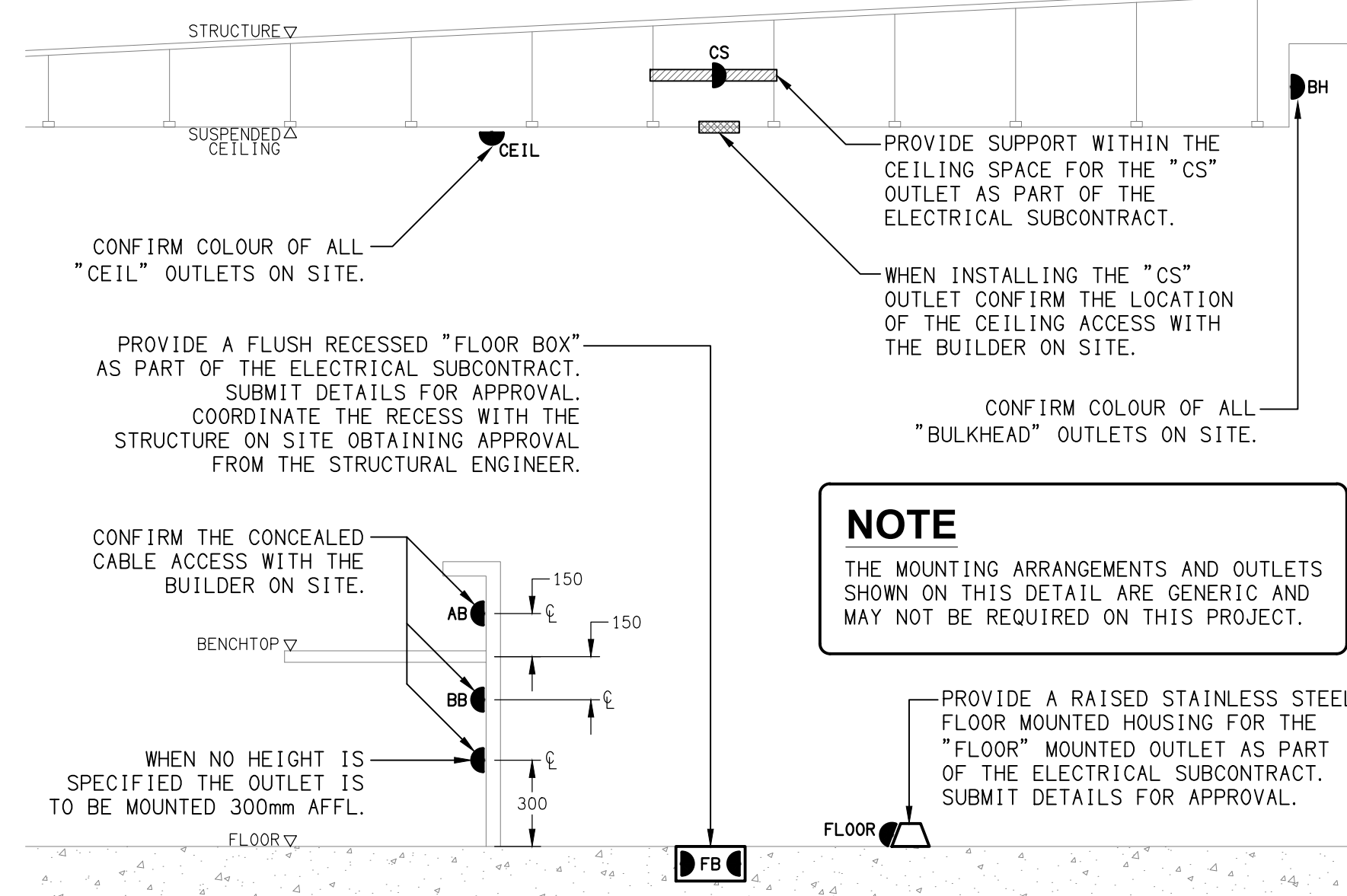
- TEST - TEST PUSH BUTTON MOUNTED ON THE DISTRIBUTION BOARD ESCUTCHEON.
- RESET - RESET PUSH BUTTON MOUNTED ON THE DISTRIBUTION BOARD ESCUTCHEON.
- LAMP - AMBER TEST INDICATING LAMP MOUNTED ON THE DISTRIBUTION BOARD ESCUTCHEON.
- Ta - ADJUSTABLE 0-3 HOUR TIMED RELAY.
- Tb - 15 MINUTE RUN-ON TIMER TO OPERATE UPON THE RETURN OF MAINS POWER.
- Cx - CONTACTOR x.
- CRx - CONTROL RELAY x.
- Rx - RELAY x.



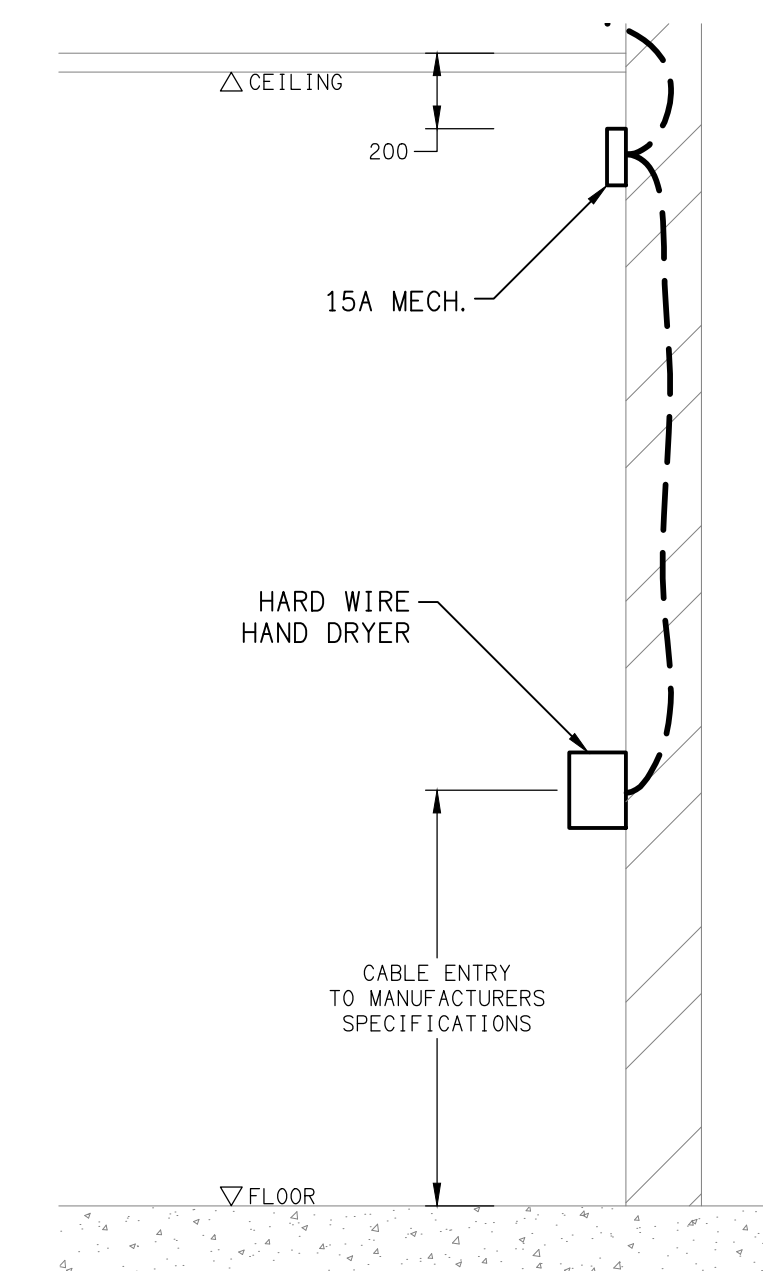
SCHEMATIC
 EMERGENCY LIGHTING
 NOT TO SCALE

NOTES

1. THE EMERGENCY LIGHT UNSWITCHED ACTIVE / GENERAL LIGHTING SWITCHED ACTIVE CIRCUIT ARRANGEMENT AND CONTROL IS TYPICAL FOR ALL CIRCUITS SUPPLYING EMERGENCY LIGHTS.
2. PROVIDE ADDITIONAL CONTROL RELAYS (CRx) CONFIGURED AS PER CRa AND CRb FOR ALL ADDITIONAL LIGHTING CIRCUITS THAT SUPPLY LIGHTS IN THE VICINITY OF THE EMERGENCY LIGHTS.



DETAIL
 TYPICAL OUTLET MOUNTINGS
 NOT TO SCALE



DETAIL
 HAND DRYER CONNECTION
 NOT TO SCALE

A	PRELIMINARY	26/07/2024
REV:	DESCRIPTION:	DATE:

ELECTRICAL DESIGN GROUP
 ELECTRICAL BUILDING SERVICES CONSULTANTS

BRISBANE: P.O. Box 15 Sherwood Qld 4075
 Phone: (07) 3278 4375
 Email: brisbane@edg.net.au
 Web: www.edg.net.au

ELECTRICAL DESIGN GROUP BRISBANE / TRADING AS:
 PTY LTD ACN 092 710 793 / ELECTRICAL DESIGN GROUP

PROJECT:
CABOOLTURE SPORTS CLUB REFURBISHMENT

SITE ADDRESS:
 19-27 STATION ROAD, MORAYFIELD

SCALE: 1:250 SHEET SIZE: AT A1

DRAWING TITLE:
ELECTRICAL SERVICES LOCATION PLAN & DETAILS

PROJECT NO. DRAWING NO. REVISION:
C3264a E02 A